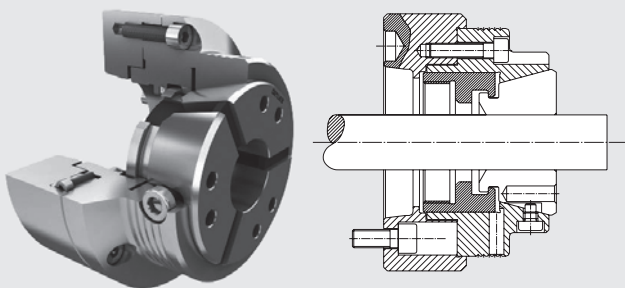


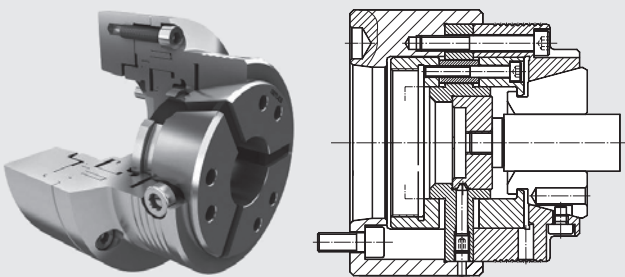
Application/customer benefits

- Safe clamping of bars and shafts
- Quick change of collets with changing unit
- Changing unit manual or pneumatic
- Direct mounting of the collets into the body ensures highest concentricity
- Collets available round, square, hexagonal or as blanks to be machined on the chuck
- Available for stationary use



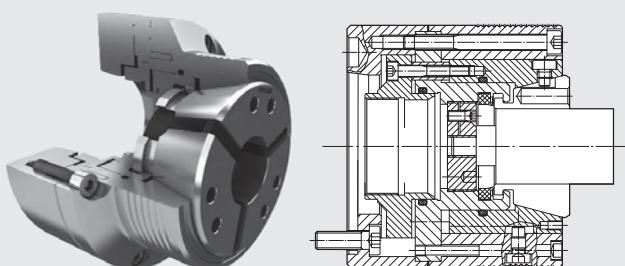
KSZ-DZN

- Safe clamping of bars
- No pressure forces onto the machine spindle during clamping
- Highest axial and radial rigidity with draw collet system
- Parallel clamping of the collets
- Flexible use because of large range of the collets



KSZ-AZN

- Rigid axial workstop for shafts
- High axial positioning accuracy of the shafts because of pull down effect onto the workstop
- Full through hole available because of quick change of axial workstop
- Special workstops available on request



KSZ-NZN

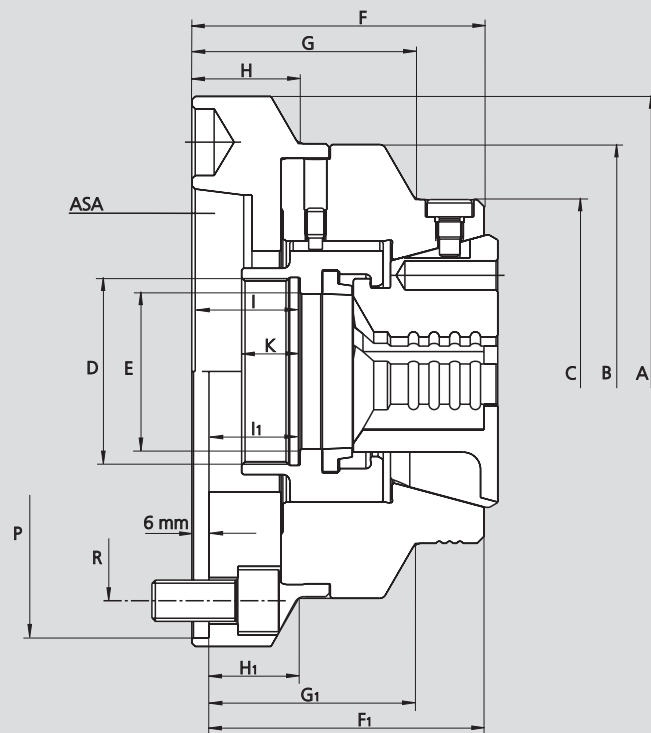
- Collet in axial fixed position = no axial movement and axial forces when clamping
- Rigid axial workstop for shafts
- Full through hole available because of quick change of axial workstop
- Special workstops available on request

Draw collet chuck for bar and shaft machining

KSZ-DZN

Draw collet chucks

Chuck in open position =
Right end position



Subject to technical changes
For more detailed information please ask for customer drawing

SMW-AUTOBLOK Type		KSZ-DZN 42			KSZ-DZN 65				
Mounting		Z140	A5	A6	Z140	Z170	A5	A6	A8
Id. No.		201340	201338	201339	201344	201345	201341	201342	201343
	A	150	132	160	157	180	157	157	202
	B	132	-	132	-	157	-	-	157
	C	100	100	100	122	122	122	122	122
	D	M54 x 1.5	M54 x 1.5	M54 x 1.5	M78 x 1.5	M78 x 1.5	M78 x 1.5	M78 x 1.5	M78 x 1.5
	E	45	45	45	68	68	68	68	68
	F	-	90	90	-	-	100	98	102
	F1	75	-	-	100	98	-	-	-
	G	-	70	70	-	-	70	68	72
	G1	55	-	-	70	68	-	-	-
	H	-	-	36	-	-	-	-	-
	H1	15	-	-	-	13	-	-	-
	I	-	39	39	-	-	41.5	41.5	43.5
	I1	24	-	-	42	39.5	-	-	-
	K	17	17	17	17.5	17.5	17.5	17.5	17.5
	P H6	140	-	-	140	170	-	-	-
	R	104.8/4x90°/M10	133.4/4x90°/M12	104.8/4x90°/M10	133.4/4x90°/M12	104.8/4x90°/M10	133.4/4x90°/M12	171.4/4x90°/M16	
max. speed	r.p.m.	7000	7000	7000	6000	6000	6000	6000	6000
max. actuating force	daN	3500	3500	3500	4500	4500	4500	4500	4500
max. gripping force	daN	8000	8000	8000	10500	10500	10500	10500	10500
Weight without collets	kg	5.2	5.8	6.7	8.6	8.8	8.4	7.6	9.8
rec. actuating cylinders	Type	VNK 102-46			VNK 150-67				
Speed	r.p.m.	8000			5500				

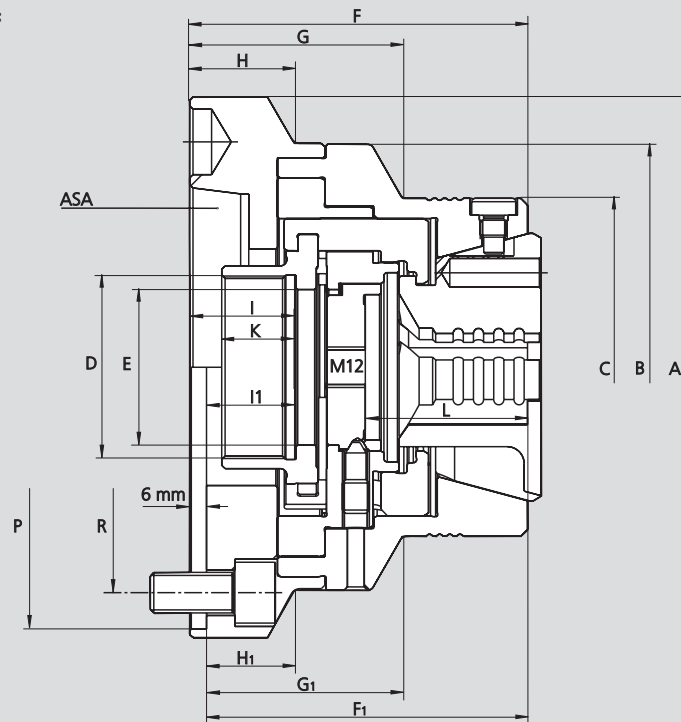
Changing unit

Accessories	Size	KSZ-DZN 42	KSZ-DZN 65
	manual		196842
pneumatic		192151	192153



Draw collet chucks

Chuck in open position =
Right end position



Subject to technical changes
For more detailed information please ask for customer drawing

SMW-AUTOBLOK Type		KSZ-AZN 42			KSZ-AZN 65				
Mounting		Z140	A5	A6	Z140	Z170	A5	A6	A8
Id. No.		201348	201346	201347	201352	201353	201349	201350	201351
	A	150	132	160	157	180	157	157	202
	B	132	-	132	-	157	-	-	157
	C	100	100	100	122	122	122	122	122
	D	M54 x 1.5	M54 x 1.5	M54 x 1.5	M78 x 1.5	M78 x 1.5	M78 x 1.5	M78 x 1.5	M78 x 1.5
	E	46	46	46	68	68	68	68	68
	F	-	105	105	-	-	112	110	114
	F1	90	-	-	112	110	-	-	-
	G	-	68	68	-	-	69	67	71
	G1	53	-	-	69	67	-	-	-
	H	-	-	36	-	-	-	-	47
	H1	15	-	-	-	13	-	-	-
	I	-	39	39	-	-	41.5	39.5	43.5
	I1	24	-	-	41.5	39.5	-	-	-
	K	17	17	17	17.5	17.5	17.5	17.5	17.5
	L	48	48	48	54	54	54	54	54
	P H6	140	-	-	140	170	-	-	-
	R	104.8/4x90°/M10	133.4/4x90°/M12	104.8/4x90°/M10	133.4/4x90°/M12	104.8/4x90°/M10	133.4/4x90°/M12	171.4/4x90°/M16	
max. speed	r.p.m.	7000	7000	7000	6000	6000	6000	6000	6000
max. actuating force	daN	3500	3500	3500	4500	4500	4500	4500	4500
max. gripping force	daN	8000	8000	8000	10500	10500	10500	10500	10500
Weight without collets	kg	5.8	6.2	7.3	9.5	9.5	9.3	8.5	10.7
rec. actuating cyl.	Type	VNK 102-46			VNK 150-67				
Speed	r.p.m.	8000			5500				

Changing unit

Accessories	Size	KSZ-AZN 42	KSZ-AZN 65
	manual		196842
pneumatic		192151	192153

Collets for KSZ-DZN 42/KSZ-AZN 42/KSZ-NZN 42

Steel collets with axial and radial grooves (Δ smooth, $\Delta\Delta$ radial grooves)

ROUND*

Ø	4 Δ	5 Δ	6 Δ	7 Δ	8 $\Delta\Delta$	9 $\Delta\Delta$	10 $\Delta\Delta$	11	12	13	14	15	16
Id. No.	192173	192174	192175	192176	192177	192178	192179	192180	192181	192182	192183	192184	192185
Ø	17	18	19	20	21	22	23	24	25	26	27	28	29
Id. No.	192186	192187	192188	192189	192190	192191	192192	192193	192194	192195	192196	192197	192198
Ø	30	31	32	33	34	35	36	37	38	39	40	41	42
Id. No.	192199	192200	192201	192202	192203	192204	192205	192206	192207	192208	192209	192210	192211

Collets in 0.5 mm increments on request

Steel collets with smooth clamping surface

ROUND*

Ø	4	5	6	7	8	9	10	11	12	13	14	15	16
Id. No.	192173	192174	192175	192176	193135	193136	193137	193138	193139	193140	193141	193142	193143
Ø	17	18	19	20	21	22	23	24	25	26	27	28	29
Id. No.	193144	192807	193145	192808	193146	193147	193148	193149	193150	193151	193152	193153	193154
Ø	30	31	32	33	34	35	36	37	38	39	40	41	42
Id. No.	193155	193156	193083	193157	193158	193159	193160	193161	193162	193163	193164	193165	193219

Collets in 0.5 mm increments on request

SQUARE**

□	7 Δ	8 $\Delta\Delta$	9 $\Delta\Delta$	10 $\Delta\Delta$	11 $\Delta\Delta$	12 $\Delta\Delta$	13 $\Delta\Delta$	14 $\Delta\Delta$	15 $\Delta\Delta$	16 $\Delta\Delta$	17 $\Delta\Delta$	18 $\Delta\Delta$	19 $\Delta\Delta$
Id. No.	192212	192213	192214	192215	192216	192217	192218	192219	192220	192221	192222	192223	192224
□	20 $\Delta\Delta$	21 $\Delta\Delta$	22 $\Delta\Delta$	23 $\Delta\Delta$	24 $\Delta\Delta$	25 $\Delta\Delta$	26 $\Delta\Delta$	27 $\Delta\Delta$	28 $\Delta\Delta$	29 $\Delta\Delta$	30 $\Delta\Delta$		
Id. No.	192225	192226	192227	192228	192229	192230	192231	192232	192233	192234	192235		

HEXAGONAL**

⬡	7 Δ	8 $\Delta\Delta$	9 $\Delta\Delta$	10 $\Delta\Delta$	11 $\Delta\Delta$	12 $\Delta\Delta$	13 $\Delta\Delta$	14 $\Delta\Delta$	15 $\Delta\Delta$	16 $\Delta\Delta$	17 $\Delta\Delta$	18 $\Delta\Delta$	19 $\Delta\Delta$
Id. No.	192236	192237	192238	192239	192240	192241	192242	192243	192244	192245	192246	192247	192248
⬡	20 $\Delta\Delta$	21 $\Delta\Delta$	22 $\Delta\Delta$	23 $\Delta\Delta$	24 $\Delta\Delta$	25 $\Delta\Delta$	26 $\Delta\Delta$	27 $\Delta\Delta$	28 $\Delta\Delta$	29 $\Delta\Delta$	30 $\Delta\Delta$	31 $\Delta\Delta$	32 $\Delta\Delta$
Id. No.	192249	192250	192251	192252	192253	192254	192255	192256	192257	192258	192259	192260	192261

Soft steel collets (pre-bored)

ROUND

Ø	5	15	30										
Id. No.	192262	192263	192264										

Boring ring 42 for soft steel collets

Id. No.	193399												
---------	--------	--	--	--	--	--	--	--	--	--	--	--	--

* concentricity similar DIN 6343

** concentricity has to be agreed

Collets for K SZ-DZN 65/KSZ-AZN 65/KSZ-NZN 65

Steel collets with axial and radial grooves (Δ smooth, $\Delta\Delta$ radial grooves)

ROUND*

\emptyset	5 Δ	6 Δ	7 Δ	8 $\Delta\Delta$	9 $\Delta\Delta$	10 $\Delta\Delta$	11	12	13	14	15	16	17
Id. No.	192265	192266	192267	192268	192269	192270	192271	192272	192273	192274	192275	192276	192277
\emptyset	18	19	20	21	22	23	24	25	26	27	28	29	30
Id. No.	192278	192279	192280	192281	192282	192283	192284	192285	192286	192287	192288	192289	192290
\emptyset	31	32	33	34	35	36	37	38	39	40	41	42	43
Id. No.	192291	192292	192293	192294	192295	192296	192297	192298	192299	192300	192301	192302	192303
\emptyset	44	45	46	47	48	49	50	51	52	53	54	55	56
Id. No.	192304	192305	192306	192307	192308	192309	192310	192311	192312	192313	192314	192315	192316
\emptyset	57	58	59	60	61	62	63	64	65				
Id. No.	192317	192318	192319	192320	192321	192322	192323	192324	192325				

Collets in 0.5 mm increments on request

Steel collets with smooth clamping surface

ROUND*

\emptyset	5	6	7	8	9	10	11	12	13	14	15	16	17
Id. No.	192265	192266	192267	193172	193173	192682	193174	192787	193175	193176	193177	193169	193178
\emptyset	18	19	20	21	22	23	24	25	26	27	28	29	30
Id. No.	193179	193180	193181	193182	193683	193183	193170	193065	193184	193066	193068	193069	193070
\emptyset	31	32	33	34	35	36	37	38	39	40	41	42	43
Id. No.	193185	192684	193186	193187	193188	193189	193190	193191	193192	192685	193193	193194	193171
\emptyset	44	45	46	47	48	49	50	51	52	53	54	55	56
Id. No.	193196	193197	193198	193199	193200	193201	193202	193203	193204	193205	193206	193207	193208
\emptyset	57	58	59	60	61	62	63	64	65				
Id. No.	193195	193209	193210	193211	193212	193213	193214	193215	193216				

Collets in 0.5 mm increments on request

SQUARE**

\square	8 $\Delta\Delta$	9 $\Delta\Delta$	10 $\Delta\Delta$	11 $\Delta\Delta$	12 $\Delta\Delta$	13 $\Delta\Delta$	14 $\Delta\Delta$	15 $\Delta\Delta$	16 $\Delta\Delta$	17 $\Delta\Delta$	18 $\Delta\Delta$	19 $\Delta\Delta$	20 $\Delta\Delta$
Id. No.	192326	192327	192328	192329	192330	192331	192332	192333	192334	192335	192336	192337	192338
\square	21 $\Delta\Delta$	22 $\Delta\Delta$	23 $\Delta\Delta$	24 $\Delta\Delta$	25 $\Delta\Delta$	26 $\Delta\Delta$	27 $\Delta\Delta$	28 $\Delta\Delta$	29 $\Delta\Delta$	30 $\Delta\Delta$	31 $\Delta\Delta$	32 $\Delta\Delta$	33 $\Delta\Delta$
Id. No.	192339	192340	192341	192342	192343	192344	192345	192346	192347	192348	192349	192350	192351
\square	34 $\Delta\Delta$	35 $\Delta\Delta$	36 $\Delta\Delta$	37 $\Delta\Delta$	38 $\Delta\Delta$	39 $\Delta\Delta$	40 $\Delta\Delta$	41 $\Delta\Delta$	42 $\Delta\Delta$	43 $\Delta\Delta$	44 $\Delta\Delta$	45 $\Delta\Delta$	46 $\Delta\Delta$
Id. No.	192352	192353	192354	192355	192356	192357	192358	192359	192360	192361	192362	192363	192364

HEXAGONAL**

\hexagon	10 $\Delta\Delta$	11 $\Delta\Delta$	12 $\Delta\Delta$	13 $\Delta\Delta$	14 $\Delta\Delta$	15 $\Delta\Delta$	16 $\Delta\Delta$	17 $\Delta\Delta$	18 $\Delta\Delta$	19 $\Delta\Delta$	20 $\Delta\Delta$	21 $\Delta\Delta$	22 $\Delta\Delta$
Id. No.	192365	192366	192367	192368	192369	192370	192371	192372	192373	192374	192375	192376	192377
\hexagon	23 $\Delta\Delta$	24 $\Delta\Delta$	25 $\Delta\Delta$	26 $\Delta\Delta$	27 $\Delta\Delta$	28 $\Delta\Delta$	29 $\Delta\Delta$	30 $\Delta\Delta$	31 $\Delta\Delta$	32 $\Delta\Delta$	33 $\Delta\Delta$	34 $\Delta\Delta$	35 $\Delta\Delta$
Id. No.	192378	192379	192380	192381	192382	192383	192384	192385	192386	192387	192388	192389	192390
\hexagon	36 $\Delta\Delta$	37 $\Delta\Delta$	38 $\Delta\Delta$	39 $\Delta\Delta$	40 $\Delta\Delta$	41 $\Delta\Delta$	42 $\Delta\Delta$	43 $\Delta\Delta$	44 $\Delta\Delta$	45 $\Delta\Delta$	46 $\Delta\Delta$	47 $\Delta\Delta$	48 $\Delta\Delta$
Id. No.	192391	192392	192393	192394	192395	192396	192397	192398	192399	192400	192401	192402	192403
\hexagon	49 $\Delta\Delta$	50 $\Delta\Delta$											
Id. No.	192404	192405											

Soft steel collets (pre-bored)

ROUND

\emptyset	8	20	40										
Id. No.	192406	192407	192408										

Boring ring 65 for soft steel collets

Id. No.	193400												
---------	--------	--	--	--	--	--	--	--	--	--	--	--	--

* concentricity similar DIN 6343

** concentricity has to be agreed