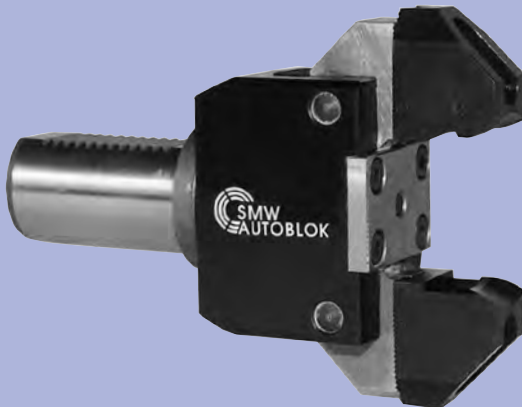


# GF 80

INCH serration  
Bar pulling chuck

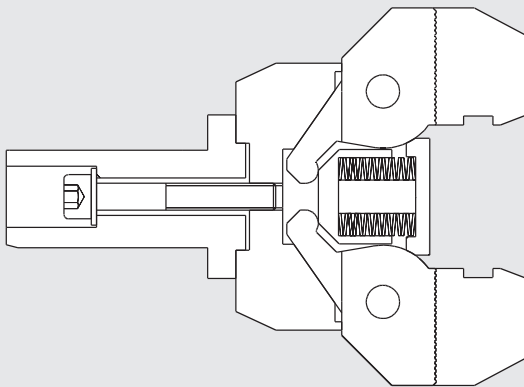
## Spring actuated bar pulling chuck

■ for stationary outside clamping



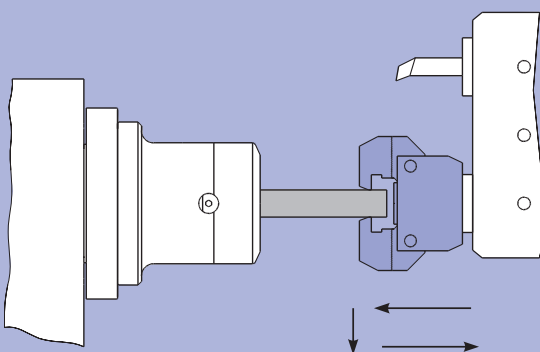
### Application/customer benefits

- Clamping and positioning of short bar material
- Positioning of shaft type components in automatic production cycle



### Profitability

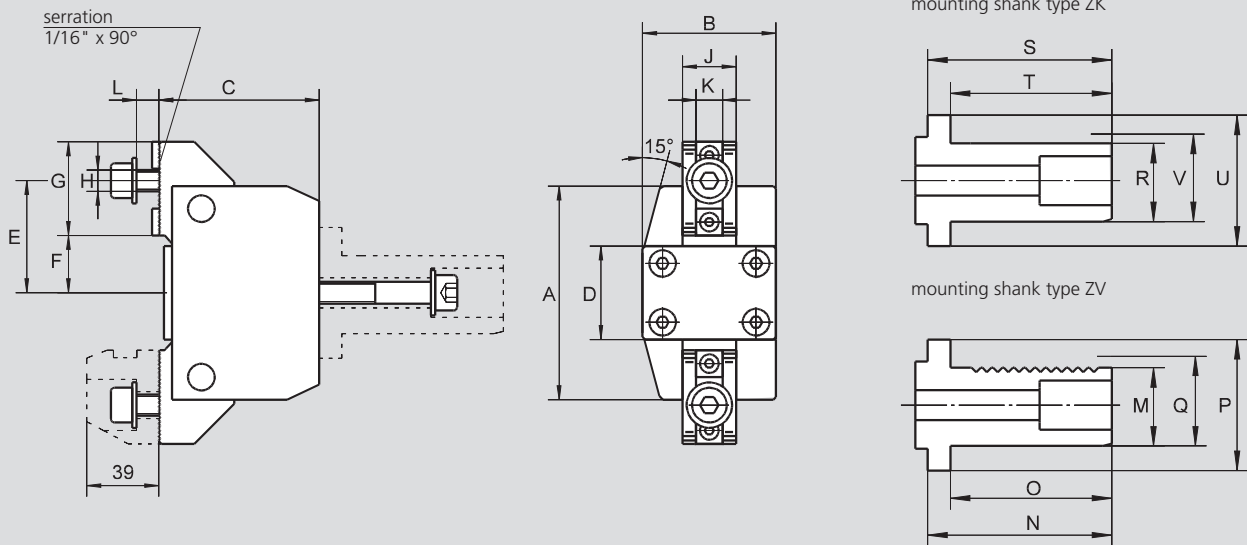
- Direct mounting to the turret of the lathe - actuation device is not necessary
- Suitable to all tool mounting systems
- Only one tool place of turret is required
- Simple production of special jaws for special bar profiles
- High flexibility at small quantities
- Simple set-up
- Simple, safe spring pre-loading of jaws
- Hardened/quenched clamping arms ensure long service life



### Function

- Move bar pulling chuck GF onto the workpiece with the turret in Z-axis. The bar pulling chuck is clamping self acting via spring pre-loading
- Open collet chuck
- Move turret to position workpiece
- Close collet chuck
- Remove bar pulling chuck GF in Z-axis

## Main dimensions and technical data

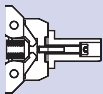


Subject to technical changes  
For more detailed information please ask for customer drawing

Chuck type	A	B	C	D	E	F	G	H	J	K	L	Stroke per jaw	gripping force (daN)
<b>GF 80</b>	80	50	60	35	42	21.5	35	M8	20	10	8	4	250
Mounting shank	M	N	O	P	Q	R	S	T	U	V			
ZV 20	18	47	35	32	20								
ZV 30	27	63	55	48	30								
ZV 40	36	71	63	48	40								
ZV 50	45	86	78	58	50								
ZK 30						26	63	55	48	30			
ZK 40						35	71	63	48	40			
ZK 50						44	86	78	58	50			

## Ordering review bar pulling chuck GF 80

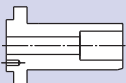
**Standard supply range:** Bar pulling chuck GF 80 with/without shank, mounting bolts, without jaws



Type	GF 80	GF 80-ZV 20	GF 80-ZV 30	GF 80-ZV 40	GF 80-ZV 50	GF 80-ZK 30	GF 80-ZK 40	GF 80-ZK 50
Shank	without shank	ZV 20	ZV 30	ZV 40	ZV 50	ZK 30	ZK 40	ZK 50
Id. No.	010903	089614	089615	089616	089617	089618	089619	089620

## Separate mounting shanks ZV/ZK

**Mounting shanks type ZV DIN 69880 (serrated) / mounting shanks type ZK (with clamping area)**



Shank Type	ZV 20	ZV 30	ZV 40	ZV 50	ZK 30	ZK 40	ZK 50
Id. No.	016339	012383	012384	012385	060088	060214	012389

## Top jaws type GFB

**Standard supply range:** 1 set (= 2 pieces) clamping jaws without mounting bolts



Type	GFB 1	GFB 2	GFB 3	GFB 4	GFB 5
Clamping range (mm)	5 - 25	25 - 45	45 - 65	65 - 80	80 - 100
Id. No.	016348	016349	016350	016351	016352